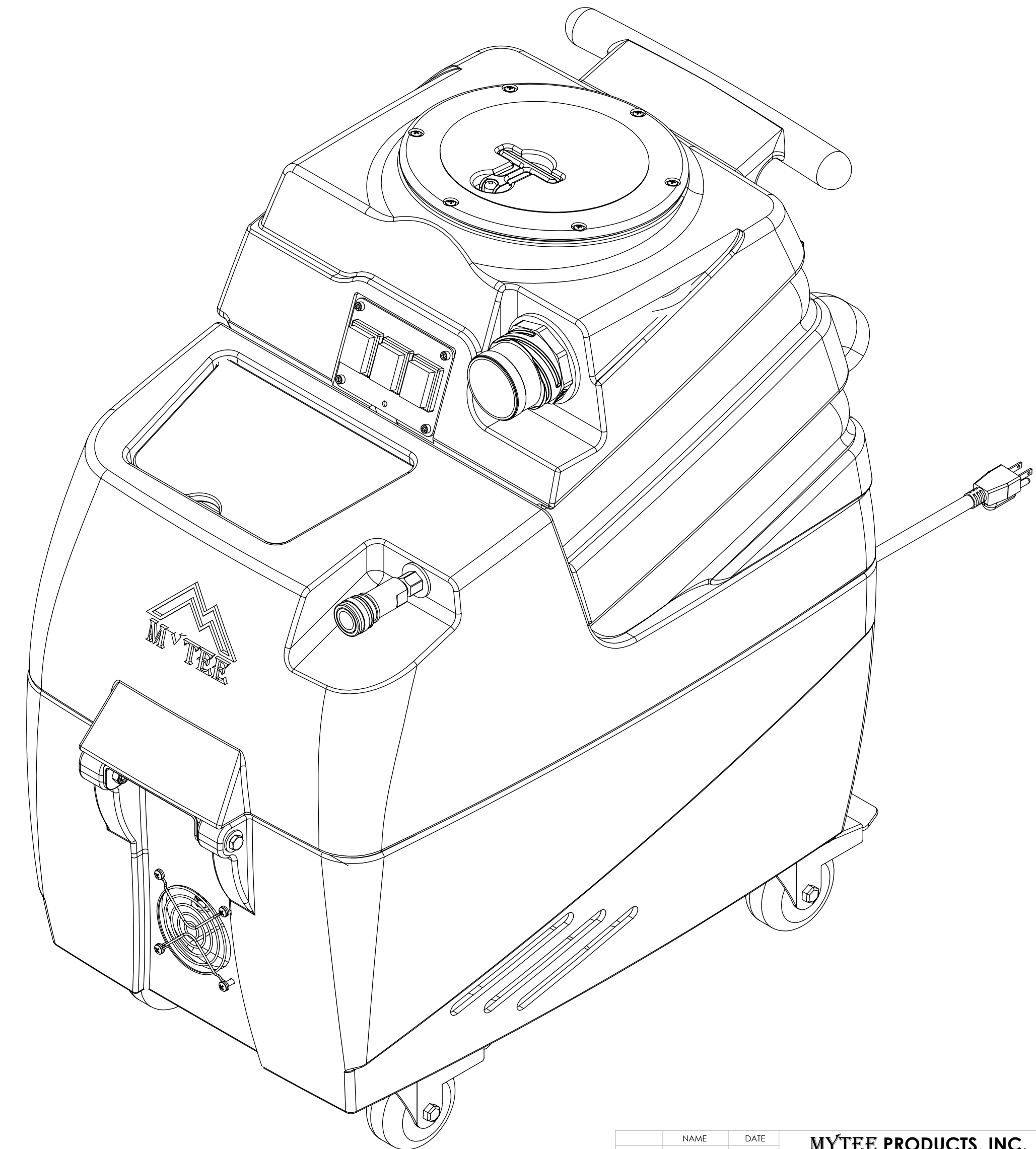


ITEM NO.	PART NO.	DESCRIPTION	QTY.	MSRP
1	H273	nut, kep, #10-32 zinc	6	\$0.99 ea
2	H256	screw, 10-32 x 3/4" phil pan head, zinc	2	\$0.99 ea
3	H528	bracket, heater mounting, dual	1	\$29.99 ea
4	E571	heating rod, 600W, 115V	2	\$49.99 ea
5	H274	screw, 6 x 3/16, phil pan head, self-tapping	10	\$0.99 ea
6	E574	Thermostat, 310°F ± 10°F, Manual, 1/4"	2	\$17.99 ea
7	E573	Thermostat, 200°, Auto, 1/4"	2	\$16.49 ea
8	H903A	heater, aluminum cast, single	2	\$78.99 ea
9	B103	elbow, brass, 90 deg, 1/4"mpt x 1/4" fpt	6	\$4.49 ea
10	AH108S	sol hose, 1/4" x 24 1/2", (OAL), f x fsw, 3000psi	1	\$26.49 ea
11	AH156	hose, 3/8" x 6.5", (OAL), f x fsw, 5400 Gray	1	\$23.99 ea
12	B207	elbow, brass, 90 deg, 1/4" fpt x 1/4" fpt	1	\$5.99 ea
13	B108	valve, brass, 1/4" check	1	\$13.99 ea
14	AH184	hose, 3/8" x 14-1/2" (OAL), f surge	1	\$27.99 ea
15	B652	elbow, brass, 90 deg, 3/8"mpt x 1/4"mpt	1	\$8.49 ea
16	C305	pump, 120 psi, 115V	1	\$151.99 ea
17	H210	washer, 1/4" flat, s/s	24	\$0.99 ea
18	H186	screw, 10-32 x 3/4, phil flat full thread	4	\$0.99 ea
19	B172	elbow, brass, 90 deg, 1/2" barb x 3/8"mpt	1	\$9.49 ea
20	B173	ferrule, 1/2", brass	2	\$0.99 ea
21	PH615-20	sol hose, 1/2" kuri 100psi	1	\$8.99/ft
22	B160	adapter, brass, 1/2" barb x 3/8" fsw, ball end	1	\$3.49 ea
23	E531	power cord, end, 25', 12/3 black	1	\$52.99 ea
24	H220	f fitting, strain relief, cord	1	\$3.19 ea
25	H221	nut, lock, 1/2" steel	1	\$1.99 ea
26	P791	base, spyder	1	\$106.99 ea
27	H304	screw, 8 x 5/8", phil oval, s/s	15	\$0.99 ea
28	H296	guard, cooling fan, wire	2	\$2.99 ea
29	H135	Cuff-Lynx, 2" m cuff x 2" mpt	1	\$3.99 ea
30	H216	nut, lock, 1/4-20, nylon insert, s/s	18	\$0.99 ea
31	H342	bolt, 1/4-20 x 1" hex head, s/s	16	\$0.99 ea
32	H667	caster, 3", Black Hub, Gray Tread	4	\$14.99 ea
33	P792	sol tank, spyder	1	\$103.99 ea
34	H215	nut, hex, 1/4-20 s/s	1	\$0.99 ea
35	H213	washer, 1/4" lock, s/s	3	\$0.99 ea
36	H211	washer, 1/4" id x 1" od, flat, s/s	2	\$0.99 ea
37	G052	washer, buna 1-1/8" od x 3/16" id	2	\$1.99 ea
38	H203	bolt, 1/4-20 x 1-1/4" hex head, s/s	1	\$0.99 ea
39	P965	cover, sol tank, spyder	1	\$12.00 ea
40	H316	bolt, 1/4-20 x 1-1/2" hex head, s/s	2	\$0.99 ea
41	H379	bracket, front, small	1	\$3.99 ea
42	H201	bolt, 1/4-20 x 1/2" hex head, zinc	2	\$0.99 ea
43	B119	filter, strainer, 1/4"	1	\$3.99 ea
44	H212	flat washer, 9/16"ID x 1 1/16"OD, AN960-C916	6	\$0.99 ea
45	B107	nipple, brass, 1/4"m, hex	3	\$3.19 ea
46	B105	bushing, brass, 3/8"mpt x 1/4"	1	\$3.19 ea
47	B102	qd, brass, 1/4" f x 1/4" fpt	1	\$17.99 ea
48	B111	adapter, brass, extender, 1/4" mpt x 1/4" fpt, hex	1	\$3.49 ea
49	AH157	hose, 3/8" x 9" (OAL), f x f, surge, 1600psi	1	\$25.99 ea
50	H770	bolt, 1/4-20 x 1/2" serrated hex flange, zinc	8	\$0.99 ea
51	H307	washer, star, 1/4" steel zinc	2	\$0.99 ea
52	H912	bracket, rear, fb/spy	1	\$9.99 ea
53	P793	vac tank, spyder	1	\$117.99 ea
54	H314	nut, lock, 1-1/2", steel	1	\$1.99 ea
55	P520	adapter, pvc, 1-1/2" mpt x 1-1/2" fms	1	\$2.99 ea
56	PH633-6	PIPE, PVC, 1-1/2" x 7-1/2" LG.	1	\$4.99/ft
57	H297	screw, 8 x 1/2", hex head, zinc	3	\$0.99 ea
58	P755	elbow, U, 180, 1-1/2", float	1	\$8.99 ea
59	H235	float, 1.5", ball style	1	\$19.99 ea
60	G090	lid, vac tank, clear, 7"	1	\$36.99 ea
61	G091	gasket, 7", vac lid	1	\$11.99 ea
62	A926	elbow, inlet assembly 2"	1	\$15.99 ea
63	H225	valve, drain, 1-1/2"	1	\$20.99 ea
64	H226	spout, drain, 45 degree	1	\$3.19 ea
65	H390A	bracket, "L"	2	\$6.99 ea
66	G059	exhaust boot, plastisol	1	\$4.99 ea
67	H217	clamp, hose, 2-1/4 dia	1	\$1.49 ea

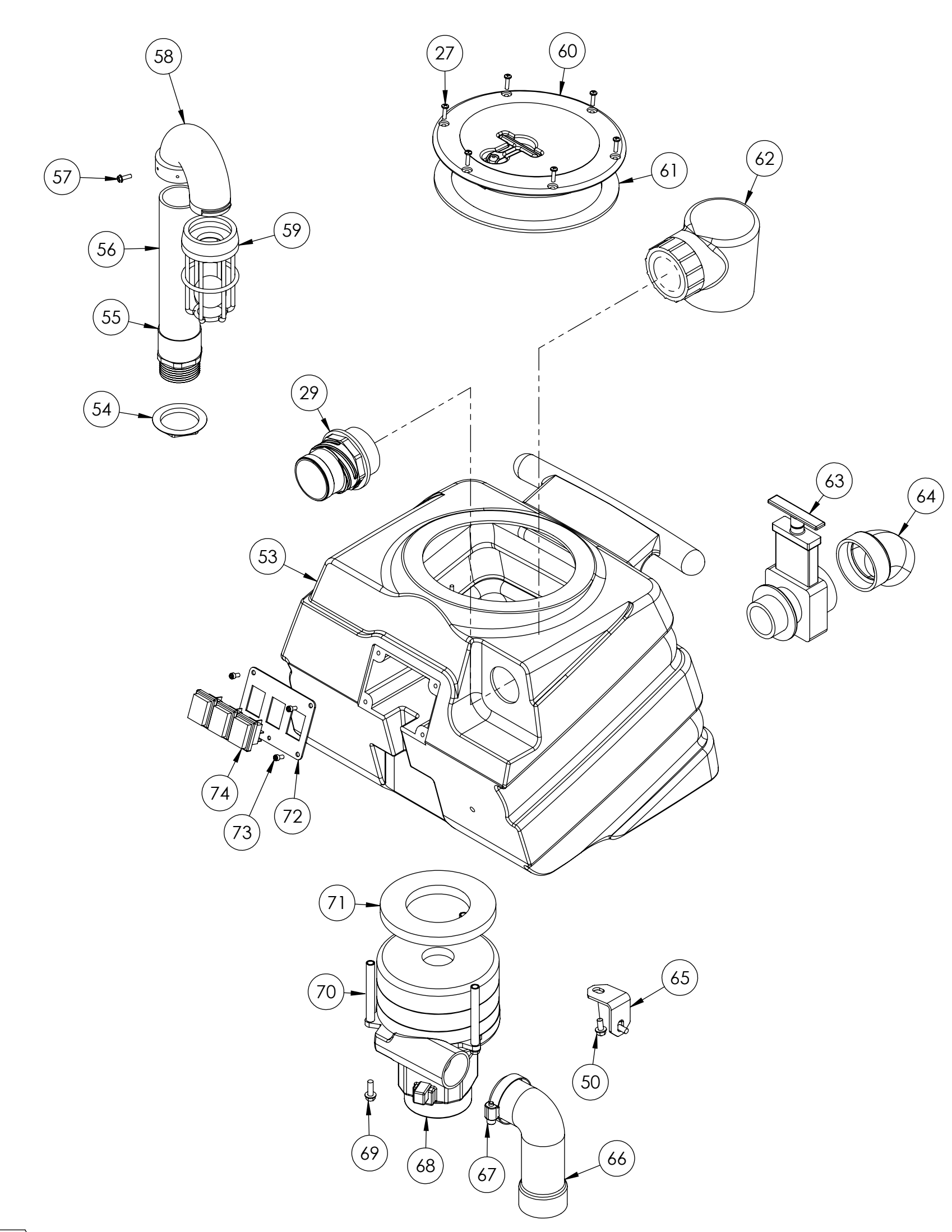
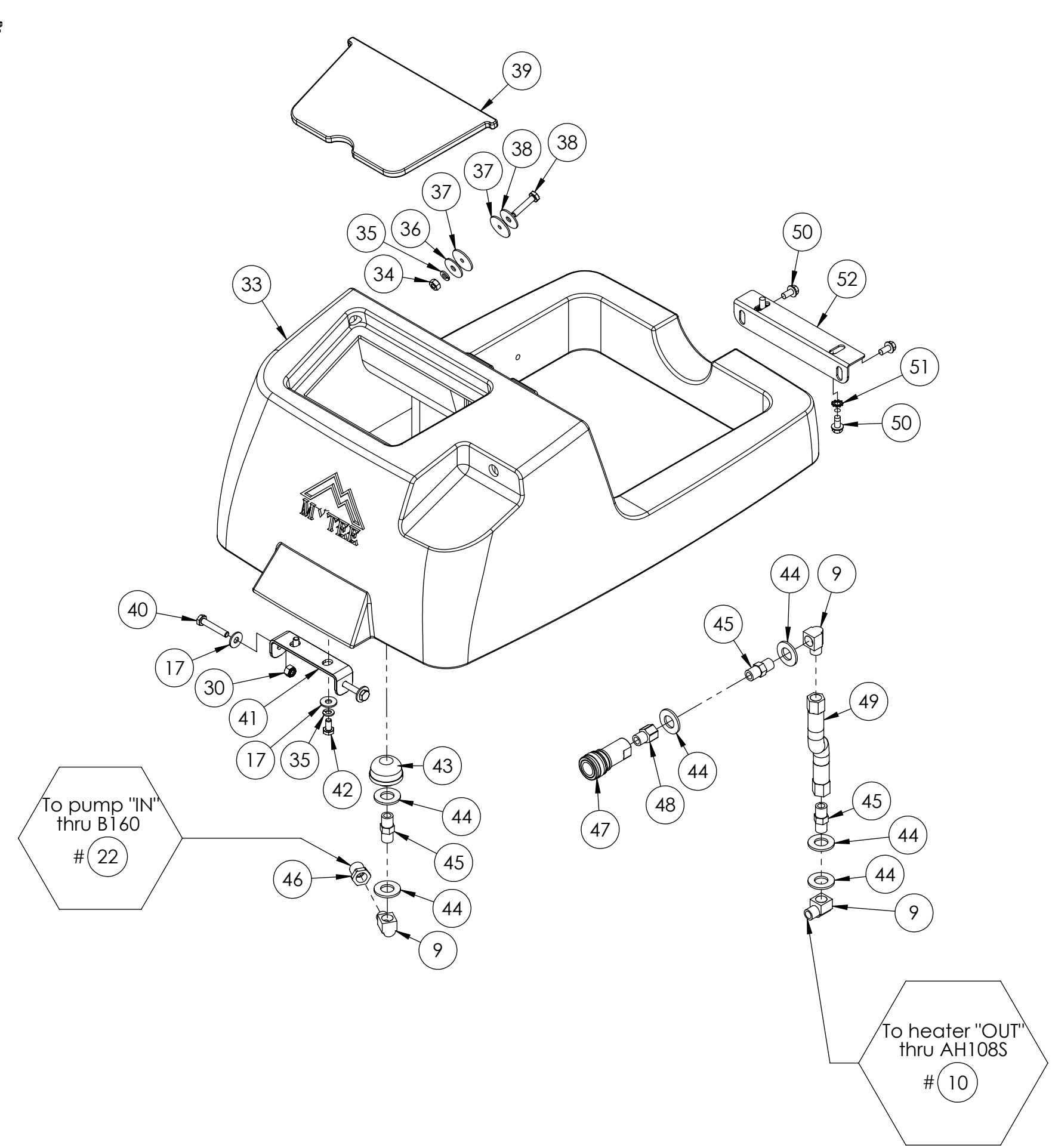
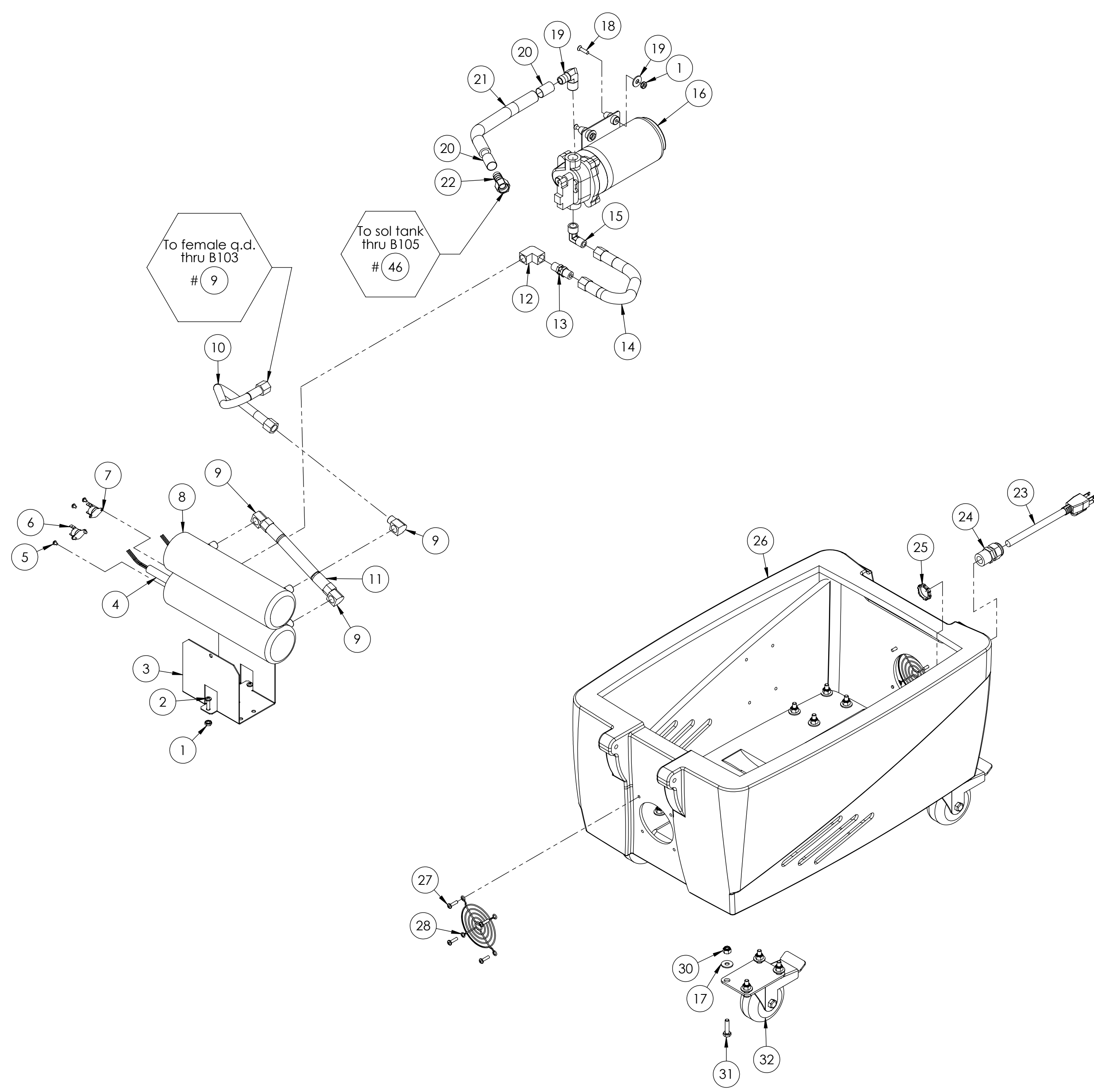
ITEM NO.	PART NO.	DESCRIPTION	QTY.	MSRP
68	C302LA	vac motor, 3 stage, low amp	1	\$139.99 ea
69	H768	bolt, 1/4-20 x 3/4" serrated hex flange, zinc	3	\$0.99 ea
70	H503	vac support, 3 stage, 3.25", no thrds	3	\$3.99 ea
71	G004	gasket, vacuum motor	1	\$8.99 ea
72	H636	plate, switch, ml/trkr, 3 hole	1	\$6.99 ea
73	H246	screw, 8-32 x 3/8" SHCS, alloy, Black	4	\$0.99 ea
74	E515	switch, rocker, 2 position	3	\$13.99 ea

ITEMS NOT SHOWN:

PART NO.	DESCRIPTION	QTY.	MSRP
ADM-HP60	manual, spyder	1	
A998	harness, electrical	1	\$73.99 ea
G008	piglet filter	1	\$6.29 pak
H375	hanger, wire formed, hose	1	\$10.99 ea
G079	hose wrap, heat guard	1	\$2.99 ea
H230	screw, 10-32 x 1/2" phil pan head, s/s	2	\$0.99 ea
A935	sol hose, pigtail, 1/8 x 7 1/2	1	\$14.99 ea
B101	quick disconnect, male, 1/4" male x 1/4" fpt	2	\$8.49 ea
H282	tool, uph, s/s w/valve	1	\$98.99 ea
H701	hose, vac, 15' x 1-1/4" w/ 1 1/2 black cuffs	1	\$44.99 ea
AH136	sol hose, 1/5" x 15', 1/8 mpt x 1/4 mpt	1	\$44.99 ea
B102	quick disconnect, 1/4" female x 1/4" fpt	1	\$17.99 ea
B104	bushing, hex, 1/4" mpt x 1/8" fpt	1	\$1.99 ea
H133	Cuff-Lynx, 1-1/4" hose x male & female	2	\$9.99 ea
H122	Cuff-Lynx, 1.25" hose cuff x 2" female cuff	1	\$3.99 ea
P590	cuties, 1/4" qd, standard pack of 2	1	\$2.99 ea

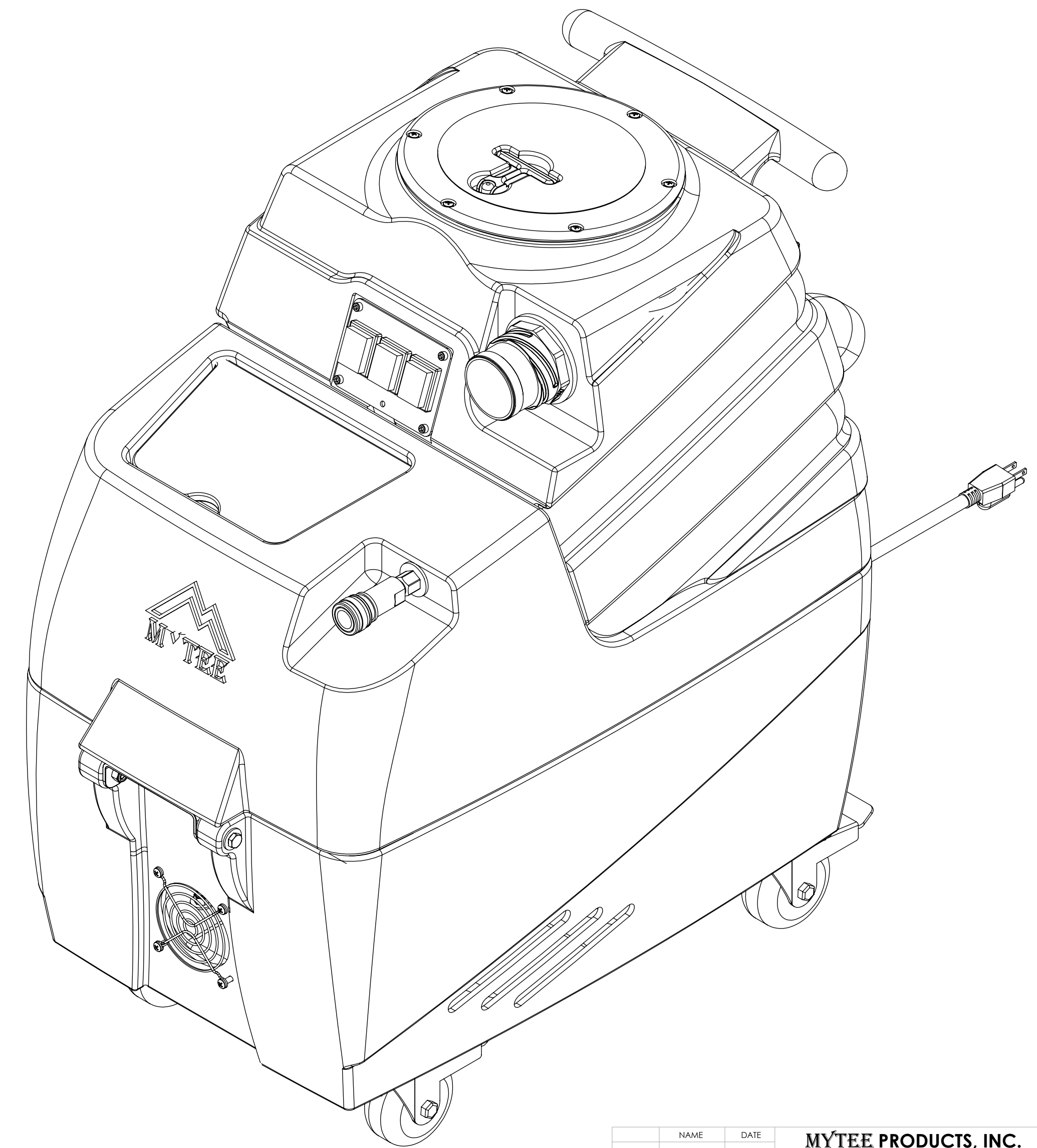


NAME	DATE	MYTEE PRODUCTS, INC. 888-679-1191
M.LaBarbera	1/2014	
CHECKED		TITLE:
		Spyder
<small>PROPRIETARY AND CONFIDENTIAL THE INFORMATION CONTAINED IN THIS DRAWING IS THE SOLE PROPERTY OF MYTEE PRODUCTS, INC. ANY REPRODUCTION IN PART OR AS A WHOLE WITHOUT THE WRITTEN PERMISSION OF MYTEE PRODUCTS, INC. IS PROHIBITED.</small>		SIZE DWG. NO. REV D HP60 F
SCALE: 1:3		DO NOT SCALE DRAWING SHEET 1 OF 3



NAME	DATE	MYTEE PRODUCTS, INC. 888-679-1191
M.LaBarbera	1/2014	
DRAWN		TITLE:
CHECKED		
PROPRIETARY AND CONFIDENTIAL THE INFORMATION CONTAINED IN THIS DRAWING IS THE SOLE PROPERTY OF MYTEE PRODUCTS, INC. ANY REPRODUCTION IN PART OR AS A WHOLE WITHOUT THE WRITTEN PERMISSION OF MYTEE PRODUCTS, INC. IS PROHIBITED.		
SIZE	DWG. NO.	REV
D	HP60	F
SCALE: 1:5	DO NOT SCALE DRAWING	SHEET 2 OF 3

REVISIONS			
REV.	DESCRIPTION	DATE	APPROVED
OD	ORIGINAL DRAFT	-	JFL
A	REPLACED H033 W H342, ADDED H210 & H216	10/8/2013	JFL
B	ADDED H314	1/16/2014	JFL
C	ADDED B173	2/24/2014	ML
D	ADDED H020	3/18/2014	ML
E	ADDED H194	5/6/2014	ML
F	REPLACED H343 w H304	4/23/2015	ML



NAME	DATE	MYTEE PRODUCTS, INC. 850-679-1191	
DRAWN M.LaBarbera	1/2014	TITLE: Spyder	
CHECKED		SIZE DWG. NO.	REV
<small>PROPRIETARY AND CONFIDENTIAL THE INFORMATION CONTAINED IN THIS DRAWING IS THE SOLE PROPERTY OF MYTEE PRODUCTS, INC. ANY REPRODUCTION IN PART OR AS A WHOLE WITHOUT THE WRITTEN PERMISSION OF MYTEE PRODUCTS, INC. IS PROHIBITED.</small>		D	F
		HP60	
		SCALE: 1:3	DO NOT SCALE DRAWING SHEET 3 OF 3